



High Speed Doors Complete Solutions



Chosen by the
world's leading
pharma, food
and retail
companies

Acoustic Doors Coldstore Doors Fire Doors FRP Doors Glass Doors GRP Doors Hermetic Doors Hygienic Doors Rapid Roll Doors Sliding Doors Traffic Doors Transfer Hatches Waterproof Doors Windows X-ray Doors

Applications:

- Manufacturing
- Pharmaceutical
- Warehousing
- Supermarkets
- Food Processing

Trouble Free - Traffic Flow



Efficient, Safe, Reliable Access

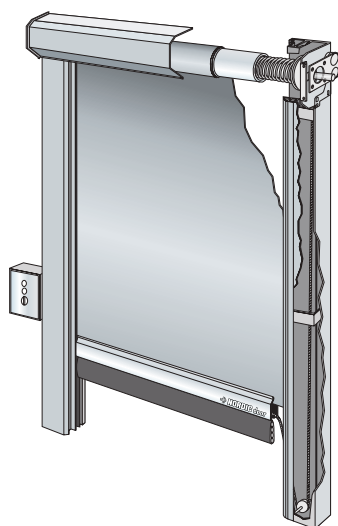
Designed to save energy and create better working conditions where fast access is required. DorteK's range of high speed doors are eco-efficient high-speed internal and external doors designed to prevent cross contamination, save energy consumption and reduce the sound of noisy plant and guard machinery.

Our durable exterior doors are designed to cope with heavy usage and demanding weather conditions, while their fast operation improves productivity and helps lower energy costs by reducing the impact of pressure and temperature changes. Our robust internal doors also improve hygiene and sound insulation and are suitable for clean, industrial and cold room applications.

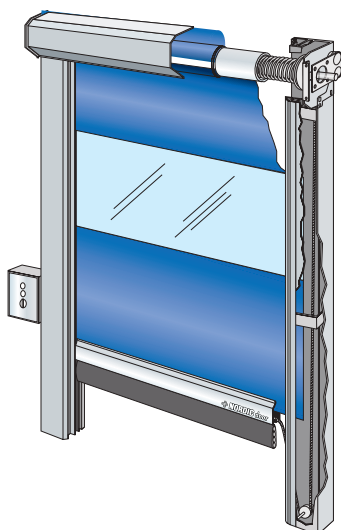
Key Benefits

- ✓ Ultra clean hygienic construction
- ✓ Super fast, reliable door solution
- ✓ Improves efficiency
- ✓ Draught, vermin & dust proof
- ✓ Withstands high wind & over pressures
- ✓ Reduces energy costs & cross ventilation
- ✓ Hard wearing durable components
- ✓ Easy clean, does not attract dirt
- ✓ Internal & external applications
- ✓ Choice of colours

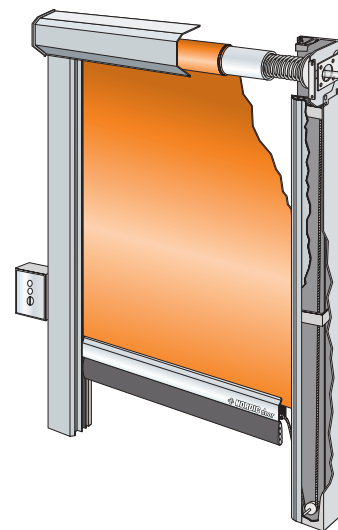




Dortek® 360



Dortek® 500



Dortek® 1000

Technical Details

Internal openings max 3000 x 3000 mm

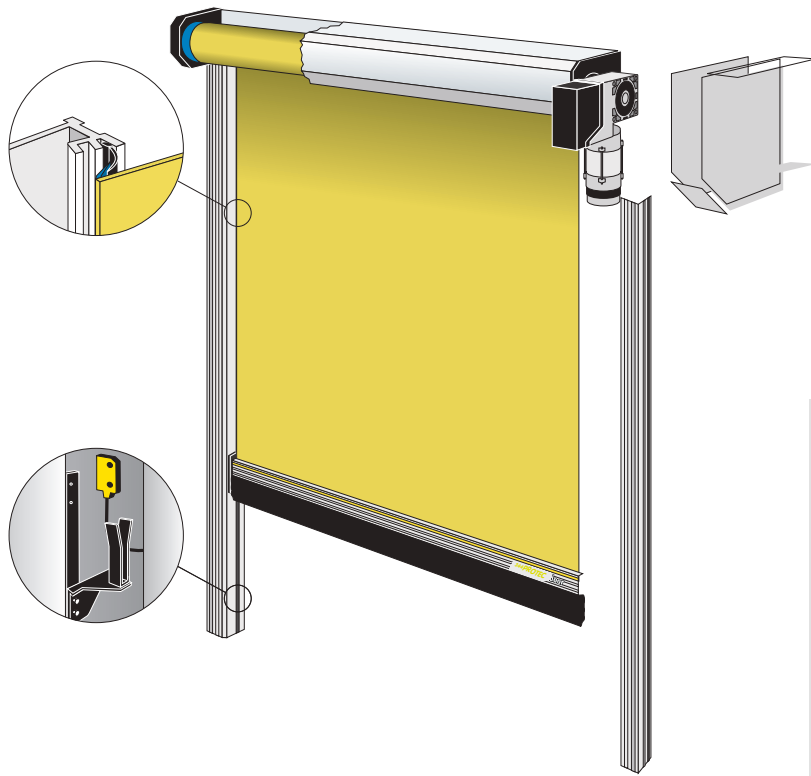
- ✓ 2mm tough, PVC coated polyester door panel.
- ✓ Anti-static, smooth, clean finish.
- ✓ Optional vision panel.
- ✓ Fast silent drive, 1 m/s.
- ✓ Auto-reversing safety edge and photo cell.
- ✓ BRX door panel breakout system.
- ✓ Designed for 500,000+ cycles.
- ✓ Compact, reliable control system 230V.
- ✓ Selection of colours.
- ✓ Optional: stainless steel covers, full range of activators and drives for opening speed 2 m/s.

Internal /external openings max 4000 x 4000 mm

- ✓ 2mm tough, PVC coated polyester door panel.
- ✓ Anti-static, smooth, clean finish.
- ✓ Optional vision panel.
- ✓ Fast silent drive, 1 m/s.
- ✓ Auto-reversing safety edge and photo cell.
- ✓ BRX door panel breakout system.
- ✓ Designed for 1 million+ cycles.
- ✓ Compact, reliable control system 230V.
- ✓ Selection of colours.
- ✓ Patented spring system -tensions and balances the door panel.
- ✓ Optional: stainless steel covers, full range of activators and drives for opening speeds 2.5 m/s.

Internal /external openings max 6000 x 6000 mm

- ✓ 2mm tough, PVC coated polyester door panel.
- ✓ Anti-static, smooth, clean finish.
- ✓ Optional vision panel.
- ✓ Fast silent drive, 1 m/s.
- ✓ Auto-reversing safety edge and photo cell.
- ✓ BRX door panel breakout system.
- ✓ Designed for 1 million+ cycles.
- ✓ Compact reliable control system 230V.
- ✓ Selection of colours.
- ✓ Patented spring system -tensions and balances the door panel.
- ✓ Optional: stainless steel covers, full range of activators and drives for opening speeds 2.5 m/s.



DorteK[®] 344 Protec

Width: Max 3500mm
Height: Max 3500mm

Machine Protection

**The most advanced machine protection door on the market
 - with patented design**

- ✓ **Compact, efficient and safe**
Increases personal safety, shields out weld sparks, dust and noise
- ✓ **Door panel locked in the frame**
Can be located close to the working station
- ✓ **Super slim frames - only 80mm wide**
With integrated safety features
- ✓ **Non- contact switches**
Supervising the closed door
- ✓ **Compact, reliable control system 400V**
Auto reversing electric safety edge
- ✓ **Rapid, smooth operation 0.75m/s up/down**
Few wear parts for millions of opening cycles
- ✓ **Clean door panel with smooth finish, antistatic with integrated carbon fibres, UV resistant**
Colour choices: blue, grey or orange

Installation, Repairs and Servicing

Our doors are quickly installed with minimum disruption to your operations by our own in-house trained engineers.

We also provide a full after sales service which includes spares, repairs and maintenance programmes designed to suit your specific requirements.

- Avoid inconvenient and costly emergency call outs
- Ensure continuous operation
- Minimise interruption to your business
- Efficient, safe and reliable function
- Compliance with health and safety regulations
- Extend the life of your doors.



Our Product Range:



- Hinged Hygienic Doors



- Sliding Hygienic Doors



- Fire Rated Hygienic Doors



- Hermetically Sealing Doors



- Traffic Doors



- X-ray Rated Doors



- Windows and Vision Panels



- Transfer and Trolley Hatches

Acoustic Doors Coldstore Doors Fire Doors FRP Doors Glass Doors GRP Doors Hermetic Doors Hygienic Doors Rapid Roll Doors Sliding Doors Traffic Doors Transfer Hatches Waterproof Doors Windows X-ray Doors

Dortek Limited, UK

St Mark Street
Hull, HU8 7ED
England
Tel: +44 (0) 1482 226848
Fax: +44 (0) 1482 226843
Email: info@dortek.com

Dortek, Singapore

Dortek Hygienic Door Systems Pte Ltd
627A Aljunied Road
BizTech Centre 04-06
Singapore
389842
Tel: +65 67411787
Email: info@dortek.com

Dortek Limited, Ireland

North Quay, Wicklow Town
County Wicklow
Ireland
Tel: +353 (0) 404 67101
Fax: +353 (0) 404 67012
Email: ireland@dortek.com

Dortek, Malaysia

Dortek Sdn Bhd
No 5 Jalan Desa Tropika 1/3
Taman Perindustrian Tropika
81800 Ulu Tiram
Johor
Malaysia
Tel: +60 7861 6233
Email: info@dortek.com

Dortek, USA

One Boston Place
Suite 2600
Boston
MA 02108
Tel: +1 617 401 8226
Email: us-sales@dortek.com

Dortek, New Zealand

2C, 40 Charlotte Street
Eden Terrace
Auckland 1022
New Zealand
Tel: +64 220722091
Email: info@dortek.com

