

# R-Door

## Hygienic Double Action Traffic Doorset



### **Applications:**

- Supermarket
- Retail
- Hotel & Catering
- Food Processing Factories
- Dairies
- Bakeries
- Hospitals
- Pharmaceutical Facilities
- Distribution and Warehousing

# R Type Double Action Swing Doors

Safe reliable easy to operate maintenance free doors  
Conforming to BS EN 339 Safety standards

## DOORBLADE

High impact moulded GRP panel  
22mm thick reinforced with anodised  
aluminium spine and edge sections  
incorporating neoprene seals.

## FINISH

Easy to clean maintenance free smooth  
non-porous gelcoat surface with built in  
colour standard super white or choice  
of 20 other colours. Available also with  
antibacterial protection

## VISION PANELS

Each blade fitted with acrylic vision  
panel size 185mm wide x 735mm high  
mounted in unbreakable frame.  
Additional 185mm x 300mm high vision  
panel positioned at low level is  
available to comply with DDA  
regulations, consult your building  
inspector for confirmation of  
requirement.  
Other sizes available on request.

## FRAMES

GRP powder coated steel, stainless  
steel, and aluminium wrap round  
frames for fixing to panel construction.  
Timber frames can be supplied where  
hygiene is not a consideration. The  
doors can also be supplied to fit  
customers own frames or direct to  
finished door openings.

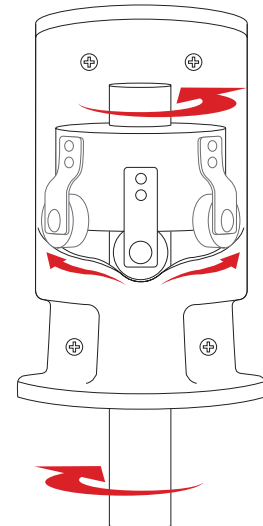
## PROTECTION

Black polypropylene spring bumpers  
are recommend for heavy traffic  
situations to absorb impact and prevent  
damage to the door face. Standard  
depths 490mm and 290mm. These  
should be positioned at the correct  
height to coincide with the traffic. For  
less demanding situations grey tough  
ribbed rubber cladding 450mm or  
1000mm high is an alternative.

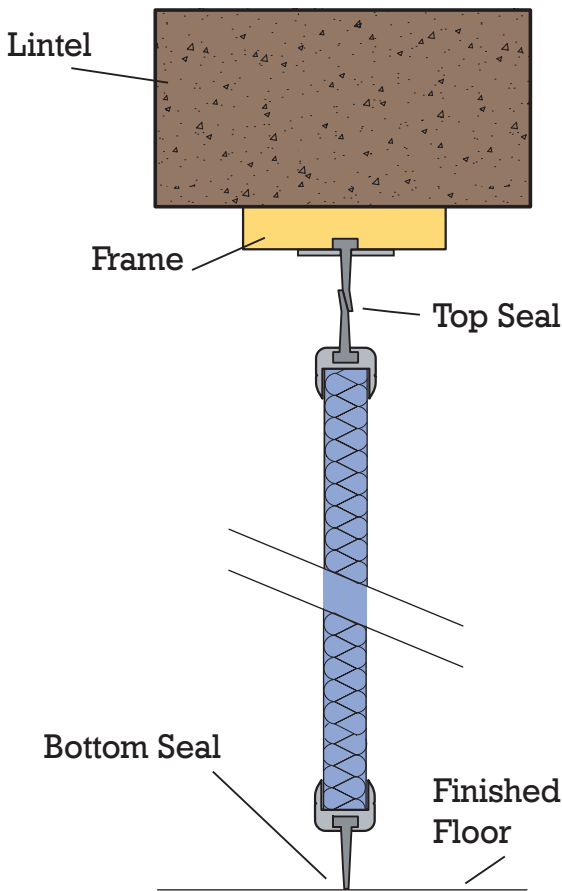
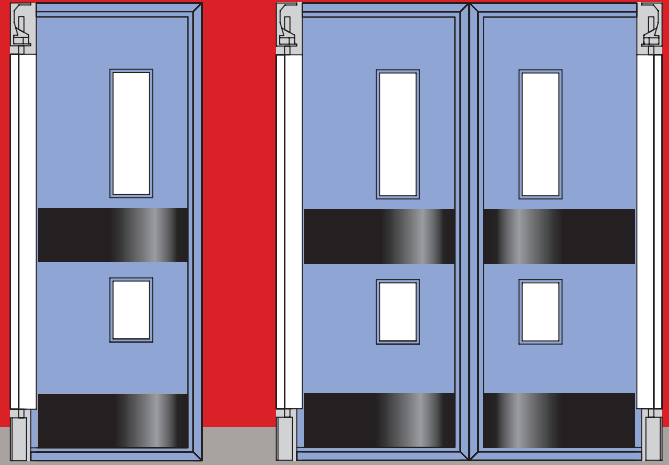
## HINGES

Dortek self closing gravity double  
action 240 degree swing hinge system  
consisting of V-cam solid steel hinge  
body with high performance sealed for  
life roller bearing and robust aluminium  
impact proof bottom pivot with stainless  
steel shaft and self lubricating nylon  
bearings. The unit is maintenance free  
and will give many years of safe  
reliable service.

## 240 Degree Swing Hinge

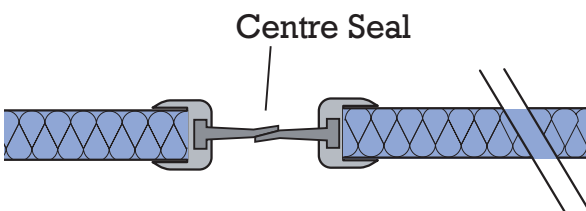


Vision Panels to comply with DDA  
Document M Building Regulations 2004



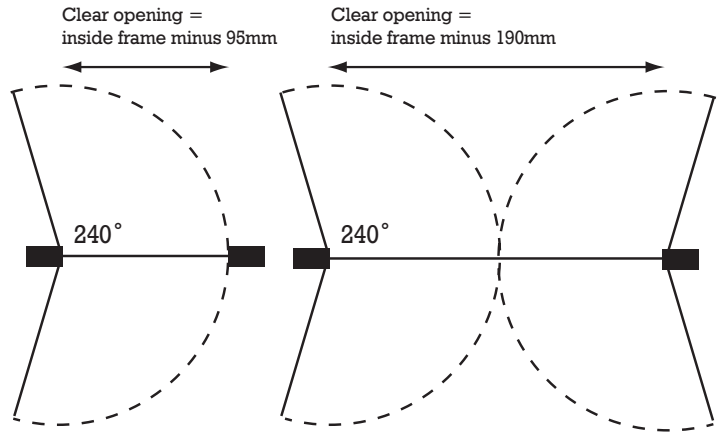
**Vertical Section**

Diagram shows rubber seals at top and bottom of the doorblade



**Horizontal Section**

Diagram shows 240 degree V-cam solid steel hinge and rubber door seals



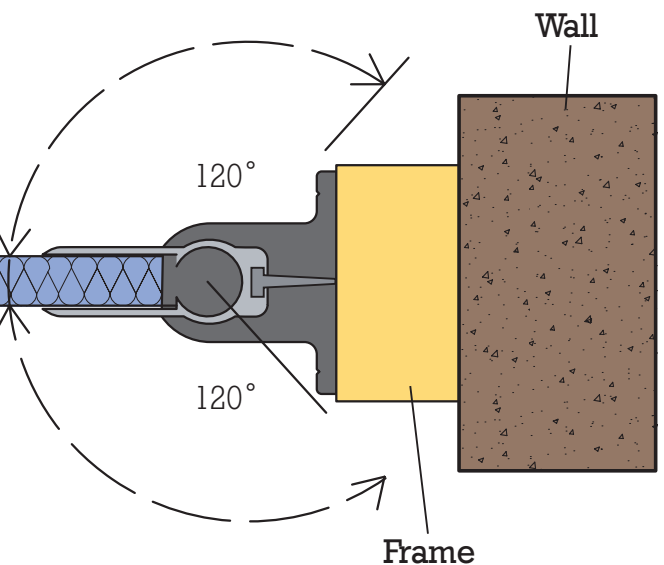
**SINGLE DOORS**

Any size up to a maximum inside frame dimension 1300mm wide x 2700mm high

**DOUBLE DOORS**

Any size up to a maximum inside frame dimension 2600mm wide x 2700mm high. When ordering simply give structural opening if supplied with DorteK frame or alternatively clear opening of your frame or finished door opening specifying type of material (see back page)

Minimum inside frame dimension should be traffic width plus 50% i.e. maximum width of pallet or trolley say 1200mm + 600mm = inside frame 1800mm



## Enquiry/Order Form

**Qty:**

Pair  Single

**Frame by Dortek**

GRP  Powder Coated Steel  Stainless Steel  Timber

Structural opening ..... mm width x .....mm height

Wall construction Block  Stud  Other

Wall thickness ..... mm

**Frame existing**

Material ..... Size..... mm width x ..... mm thickness

Inside dim ..... mm wide x ..... mm high

**Colour**

Standard White  Other  .....

**Window**

**Standard** 185 mm wide x 735 mm high (1150 from floor)

**Optional** 185 mm wide x 300 mm high (DDA compliant 500 mm from floor)

**Protection**

**Black Polypropylene spring bumpers**

470 mm high  Position to underside from floor ..... mm

290 mm high  Position to underside from floor ..... mm

**Grey ribbed rubber cladding to both sides**

1000 mm high  450 mm high

## Other Door Systems from Dortek



K Type  
Single action doors



K Type  
Bi-parting  
automatic sliding  
doors



F60 Type  
1 hour fire  
resistant doors



S Type  
Double action  
swing doors



Hermetically  
Sealing



Fast Acting



Acoustic



Cold Store



**Mobile Exhibition Vehicle. With full working models of our hygienic door systems. Available for CPD presentations and site visits. Contact Dortek to arrange a booking.**



**Dortek Limited, UK**  
St Mark Street,  
Hull HU8 7ED England  
Tel: +44 (0) 1482 226 848  
Fax: +44 (0) 1482 226 843  
email: sales@dortek.com

**Wen-plast/Dortek, Ireland**  
North Quay, Wicklow Town,  
County Wicklow Ireland  
Tel: +353 (0) 404 67101  
Fax: +353 (0) 404 67012  
email: ireland@dortek.com

**www.dortek.com**